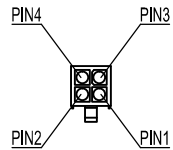
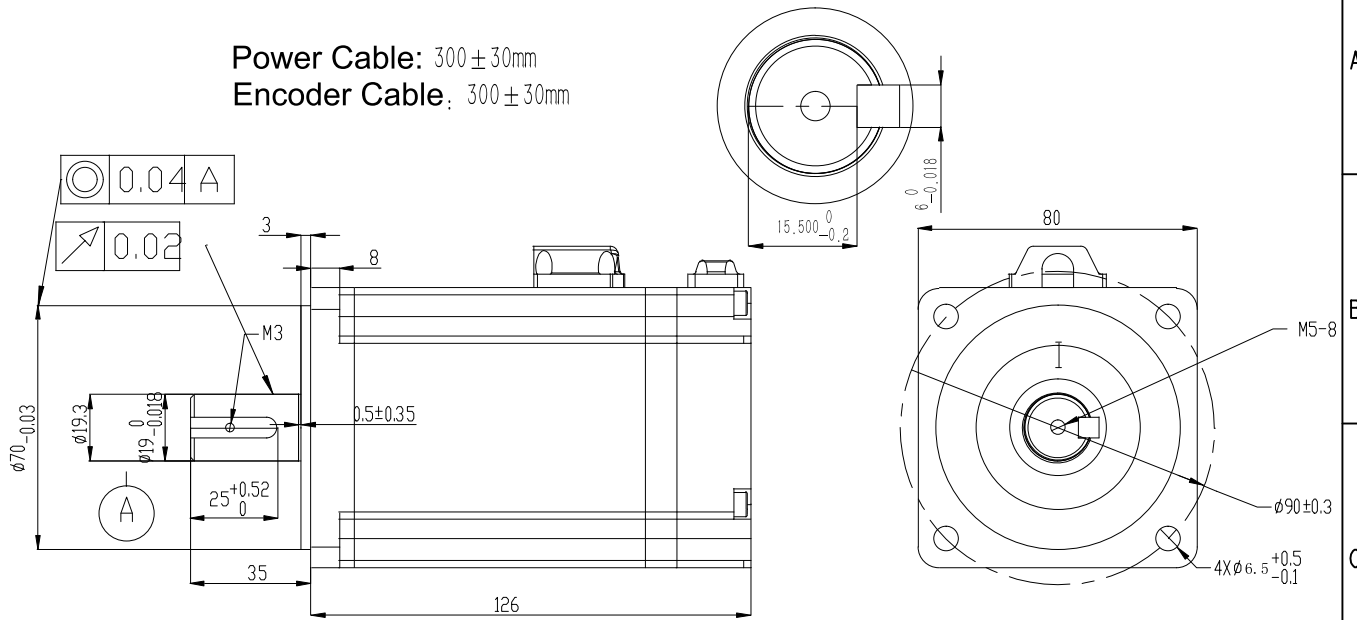


Rated Voltage (Vac)	200-220
Rated Power (w)	1000
Rated Torque (N.m)	3.18
Peak Torque (N.m)	9.52
Rated Speed (rpm)	3000
Peak Speed (rpm)	5000
Rated Current (Amp)	5.7
Peak Current (Amp)	17.1
Torque Const (N.m/Amp)	0.57
Back EMF Const (V/krpm)	36.2
Resistance (Ω)	1.07
Inductance (mH)	6.9
Inertia (kg*m ² *10 ⁻⁴)	1.63
Poles	10
Encoder type	17bit single-turn
Protection level	IP54
Weight (Kg)	2.83

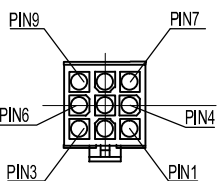
Power Cable: 300 ± 30mm
Encoder Cable: 300 ± 30mm



Wiring details of Power cable connector				
Pos	1	2	3	4
Signal	U	W	V	PE
Color	blue	red	black	Yel/Gre

Connector Code Of Extension Cable Side			
Type	Winding Connector	Encoder Connector	Brake Connector
Pin	170362-1	170361-1	--
Plastic shell	AMP172159-1	AMP172161-1	--

Connector Code Of Motor Side			
Type	Winding Connector	Encoder Connector	Brake Connector
Pin	170360-1	170359-1	--
Plastic shell	AMP172167-1	AMP172169-1	--



Wiring details of encoder cable connector							
Pos	1	2	3	4	5	6	7
Signal	PE	5V	0V	SD+	SD-	--	--
Color	shield	blue	blue/white	purple	purple/white	--	--

Leadshine Technology Co .Ltd

ELM1000FM80H-SS MS20

80mm, medium inertia, 1000w servo motor
17bit incremental encoder, no brake