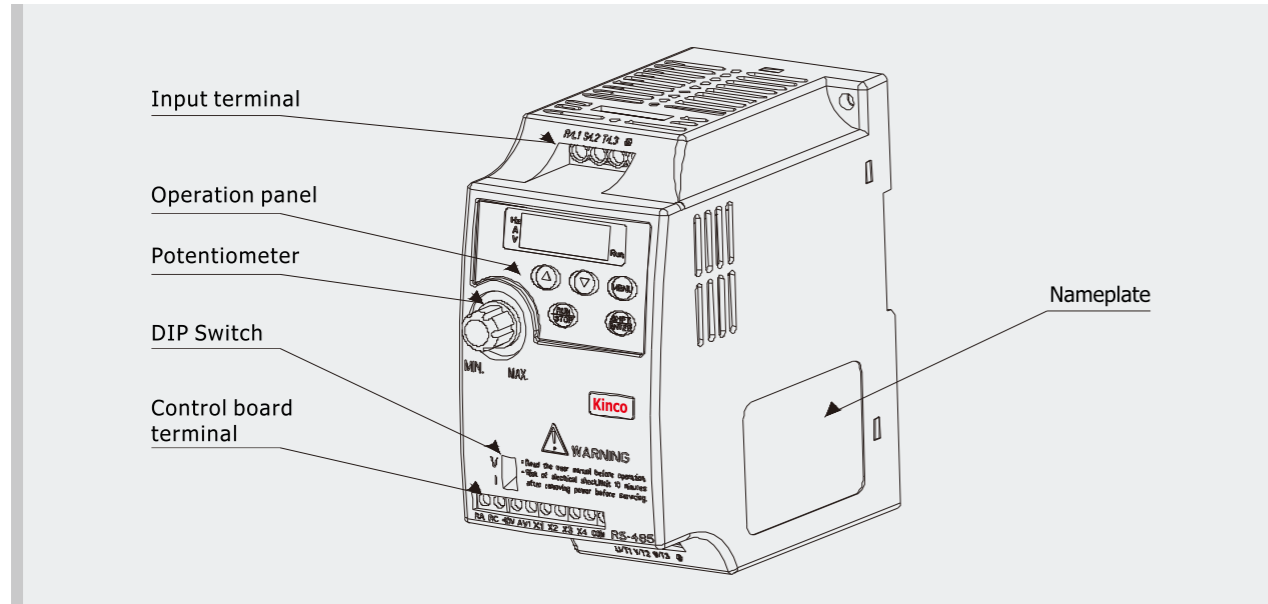
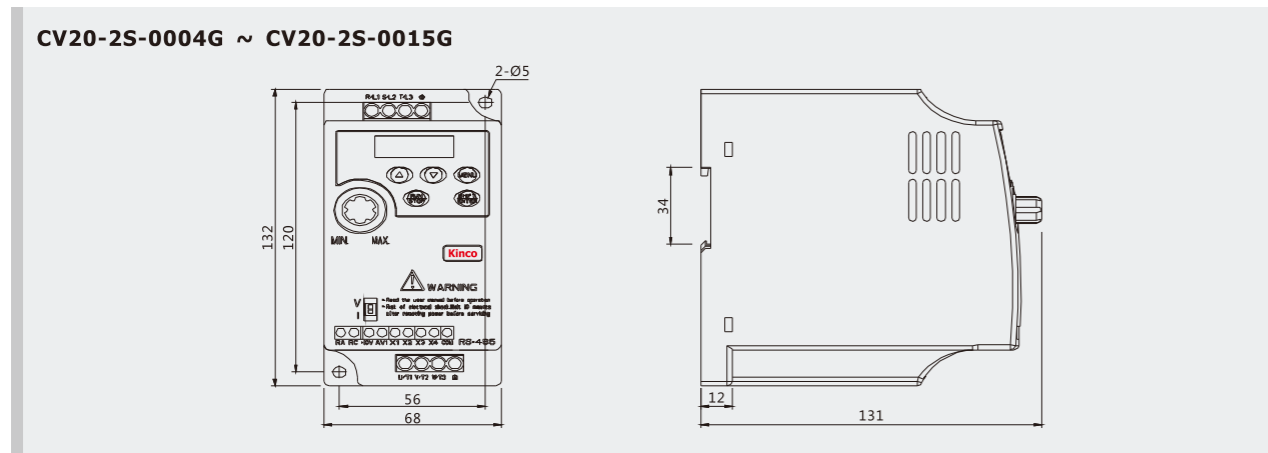


Outlook



Mechanical dimensions



VFD Model	External dimension (mm)							Weight (kg)
	W	H	D	W1	H1	T1	Installation hole(d)	
CV20-2S-0004G	68	132	131	56	120	12	5	0.8
CV20-2S-0007G								
CV20-2S-0015G								



Kinco CV20

Improved mini VFD

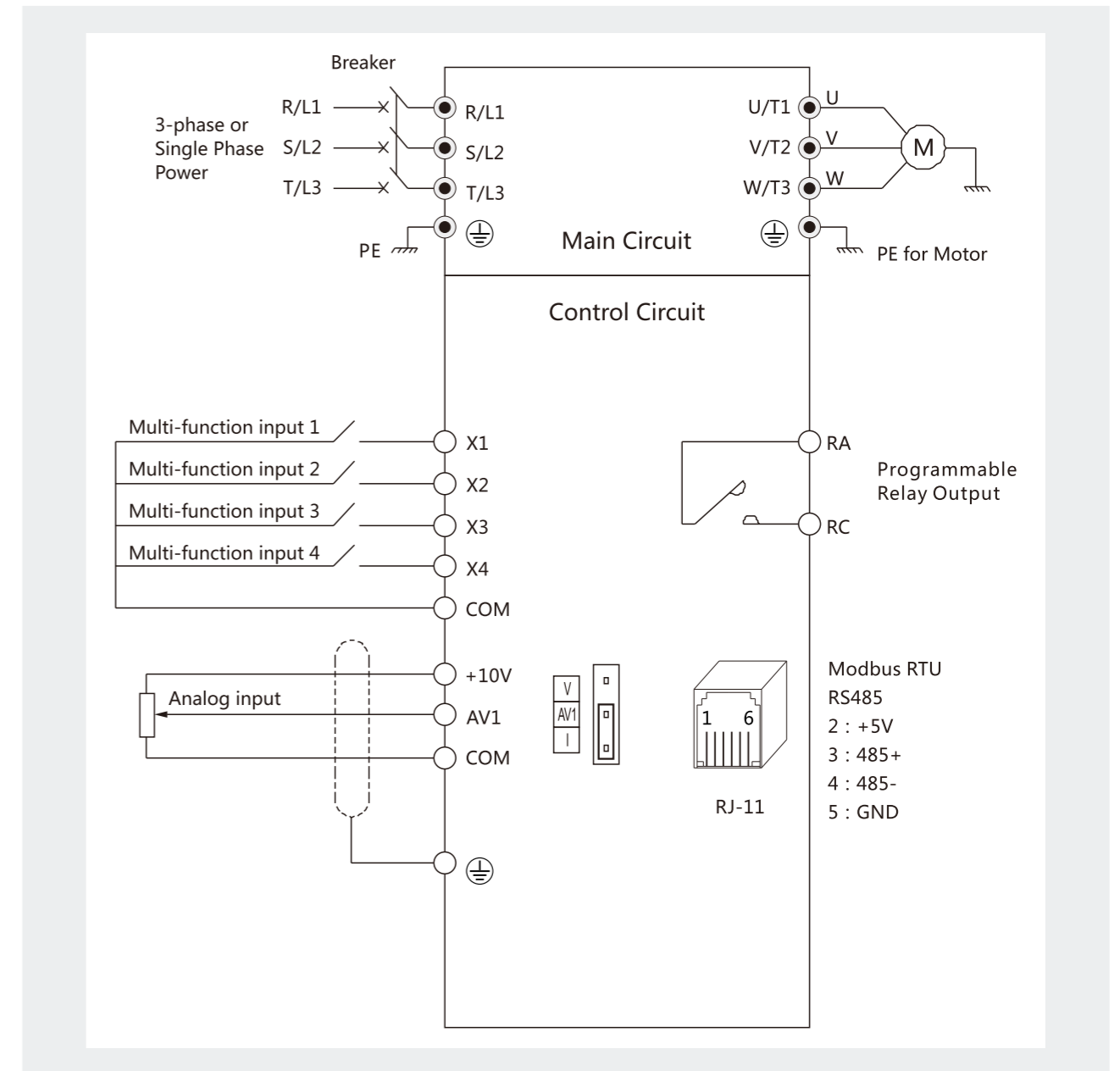
FEATURES:

- V/F control;
- Built-in PID control;
- Extreme compact size saves installation space;
- DIN-rail mounting and wall mounting speed up installation;
- Terminals uncovered, easy for wiring;
- Standard supports MODBUS via RS485, baud rate up to 19200bps;
- Maintenance-free.

Technical Specification

Item	CV20-2S-0004G	CV20-2S-0007G	CV20-2S-0015G
Adaptable motor(KW)	0.4	0.75	1.5
Rated output current(A)	2.5	4.0	7.5
Rated input current(A)	5.3	8.2	14.0
Input	Rated voltage & frequency	2T: 3-phase, 200~240VAC; 50Hz/60Hz 2S: Single-phase, 200~240VAC; 50Hz/60Hz	
	Allowable voltage range	2T: 180~260VAC; 2S: 180~260VAC; Voltage tolerance<3%; Frequency: ±5%	
Output	Rated voltage	0~Rated input voltage	
	Frequency	0Hz~300Hz	
	Overload capacity	G type: 150% rated current for 1 minute; 180% rated current for 10 seconds;	
Control Characteristics	Control mode	V/F control	
	Modulation mode	Space vector PWM modulation	
	Starting torque	0.5Hz 150% rated torque	
	Frequency accuracy	Digital setting: Max frequency ×±0.01%; Analog setting: Max. frequency ×±0.2%	
	Frequency resolution	Digital setting: 0.01Hz; Analog setting: Max frequency×0.05%	
	Torque boost	Manual torque boost :0% ~ 30.0%	
	V/F pattern	4 patterns: 1 V/F curve mode set by user and 3 kinds of torque-derating modes (2.0 order, 1.7 order, and 1.2 order)	
	Acc/Dec curve	Linear acceleration/deceleration: Four kinds of acceleration/deceleration time	
Operation Function	Operation Command	Operation Panel, Terminal, Communication Control, Support switching between these control channels.	
	Frequency Setting	Digital, Analog Voltage/current setting.	
	Auxiliary frequency	Support main and auxiliary setting("+","-", "min", "max")	
Operation panel	LED Display	Display setting frequency, output frequency, output voltage, output current and so on, about 20 parameters.	
	Keys lock & function selection	Lock part of keys or all the keys. Define the function of part of keys	
Protection function	Open phase protection (optional), over current protection, overvoltage protection, under-voltage protection, overheat protection, over-load protection and so on.		
Environment	Operating site	Indoor, installed in the environment free from direct sunlight, dust, corrosive gas, combustible gas, oil mist, steam and drip.	
	Altitude	Derated above 1000m, the rated output current shall be decreased by 10% for every rise of 1000m	
	Ambient temperature	-10℃~40℃, derated at 40℃~ 50℃	
	Humidity	5%~95%RH, non-condensing	
	Vibration	Less than 5.9m/s ² (0.6g)	
Structure	Storage temperature	-40℃~+70℃	
	Protection class	IP20	
Installation method	Cooling method	Air cooling, with fan control.	
	Installation method	DIN-rail mounting; Wall-mounted	
Efficiency	≥90%		

Wiring diagram



Control loop terminal arrangement:



RS-485 PIN definition:

