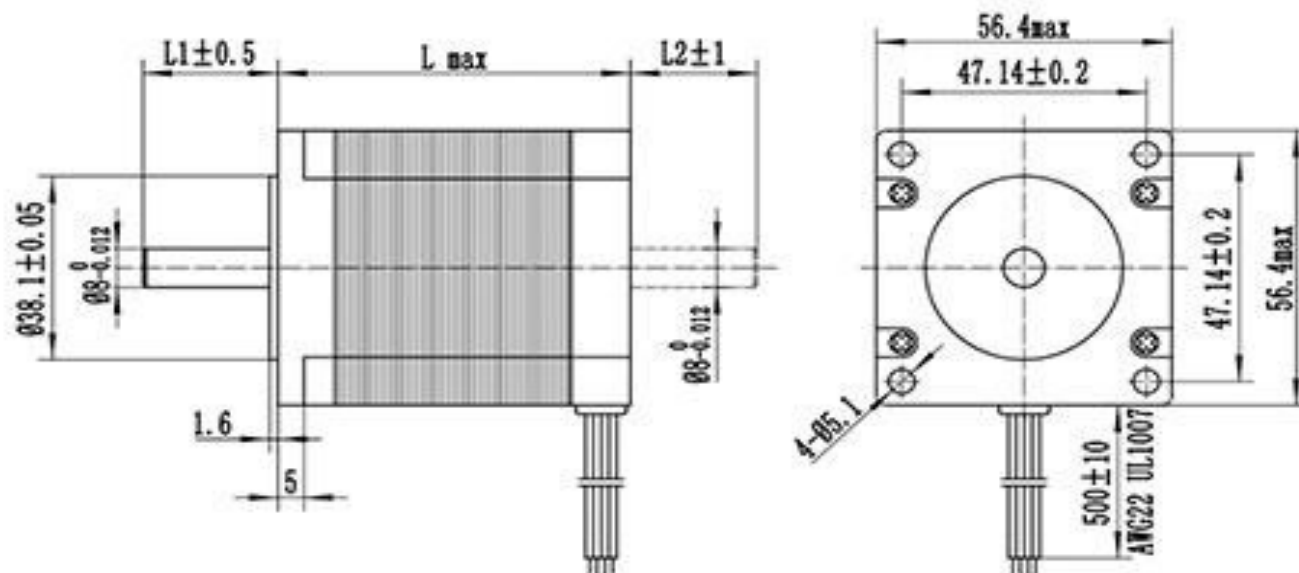
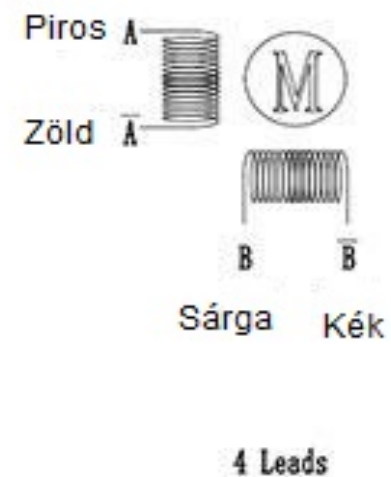


Dimensions

unit=mm



Wiring Diagram:



Model No	Step Angle (°)	Rated Voltage (V)	Rated Current (A)	Phase Resistance (Ω)	Phase Inductance (mH)	Holding Torque (Nm)	Detent Torque (g.cm Max)	Rotor Inertia (g.cm ²)	Motor Length (mm)	Leads No.	Motor Weight (Kg)
57JS100-4004	1,8	2,2	4	0,55	1,8	2.5	1000	680	100	4	1,4